



ENAPART



93 S Railroad Avenue Unit C
Bergenfield NJ 07621 USA
www.enapart.com
sales@enapart.com



Via del Canneto 35,
Borgosatollo, Brescia - Italia
www.enapart.it
vendite@enapart.it



Barbaros Mah. Ihlamur Bul. Aĝaoĝlu
My Newwork No:3/15 Ataşehir / İstanbul
www.enapart.net
satis@enapart.net



PRIVADA 10 B SUR #3908 COL.
ANZUREZ, C.P. 72530, PUEBLA, PUE
www.enapart.com.mx
sales@enapart.com.mx



Friedrich-Ebert-Anlage 36, 60325
Frankfurt am Main, Germany
www.enapart.de
anfrage@enapart.de



4 boulevard Carnot, 95400
villiers-le-bel, Paris, France
www.enapart.fr
sales@enapart.fr



65049, ОДЕСА, ВУЛИЦЯ ІВАНА
ФРАНКА, БУДИНОК 55, ПОВЕРХ 3
www.enapart.com.ua
sales@enapart.com.ua



MUNICIPIUL BUCUREȘTI, SECTOR 3,
B-DUL BASARABIA, NR.250, CORP P+5
www.enapart.ro
sales@enapart.ro



〒584-0023 大阪府富田林市若松町
東2丁目2番16号
www.enapart.co.jp
sales@enapart.co.jp



PLAZA NUESTRA SEÑORA DE LAS
NIEVES 12 ,LOCAL ,50012,ZARAGOZA
www.enapart.es
ventas@enapart.es



Складова база „Онгъл“, Склад А2, п.к.
4006, гр. Пловдив, България
www.enapart.bg
sales@enapart.bg



3 Austin Mews, High Street, Hemel
Hempstead, HP1 3AF , United Kingdom
www.enapart.co.uk
sales@enapart.co.uk

JUMO GmbH & Co. KG
 Delivery address: Mackenrodtstraße 14
 36039 Fulda, Germany
 Postal address: 36035 Fulda, Germany
 Phone: +49 661 6003-0
 Fax: +49 661 6003-607
 Email: mail@jumo.net
 Internet: www.jumo.net

JUMO Instrument Co. Ltd.
 JUMO House
 Temple Bank, Riverway
 Harlow, Essex, CM20 2DY, UK
 Phone: +44 1279 63 55 33
 Fax: +44 1279 62 50 29
 Email: sales@jumo.co.uk
 Internet: www.jumo.co.uk

JUMO Process Control, Inc.
 6724 Joy Road
 East Syracuse, NY 13057, USA
 Phone: +1 315 437 5866
 Fax: +1 315 437 5860
 Email: info.us@jumo.net
 Internet: www.jumousa.com



JUMO exTHERM-AT

Explosion-proof surface-mounted thermostat for zones 1, 2, 21, and 22

Special features

- Single thermostat and double thermostat with capillary or rigid thermowell
- Switching capacity up to 25 A
- Admissible ambient temperatures -55 to +70 °C (standard -40 to +70 °C)
- Thermowell for use in zone 0 available as an accessory
- Quick and safer electrical connection through Push-In® terminal technology
- Stable switching points through standard ambient temperature compensation

Brief description

The explosion-proof surface-mounted thermostats of the JUMO exTHERM series are built to monitor and control temperatures in potentially explosive areas. The use in environments with gas and steam is permitted (zones 1 and 2); use in environments with conductive dust (zones 21 and 22) is also permitted.

The JUMO exTHERM-AT is available as temperature monitor TW, safety temperature monitor (STW), and safety temperature limiter (STB). The thermostats work according to the liquid expansion or gas expansion principle. The electrical switching element is a pressure-resistant encapsulated thermostat with a snap-action switch. Stable switching points when ambient temperatures fluctuate are made possible by the standard ambient temperature compensation.

The thermostats of the JUMO exTHERM-AT series are RoHS conform and cadmium free.



JUMO exTHERM-AT double thermostat



JUMO exTHERM-AT single thermostat

Version according to DIN EN 14597:

| | |
|------------|----------------------------|
| TW | Temperature monitor |
| STW | Safety temperature monitor |
| STB | Safety temperature limiter |

ATEX mark

| | |
|--|--|
| | II 2G Ex db eb IIC T4/T5/T6 Gb For explosive gas atmosphere |
| | II 2D Ex tb IIIC T85 °C/T100 °C/T130 °C Db For explosive dust atmosphere |

IECEx mark

| | |
|--|--|
| | Ex db eb IIC T4/T5/T6 Gb For explosive gas atmosphere |
| | Ex tb IIIC T85 °C/T100 °C/T130 °C Db For explosive dust atmosphere |

Test certificate ATEX

EPS 11 ATEX 1 354

Test certificate IECEx

IECEx EPS 13.0046

Test certificate EAC-Ex

RU C-DE.HB07.B.00057/20

Test certificate SIL

EPS 11 ATEX 1 354 (SIL 2)

Approvals and approval marks (see technical data)



* Available with extra code (TZ 240)

** Available with extra code (TZ 372)

*** Available with extra code (TZ 073)

JUMO GmbH & Co. KG
 Delivery address: Mackenrodtstraße 14
 36039 Fulda, Germany
 Postal address: 36035 Fulda, Germany
 Phone: +49 661 6003-0
 Fax: +49 661 6003-607
 Email: mail@jumo.net
 Internet: www.jumo.net

JUMO Instrument Co. Ltd.
 JUMO House
 Temple Bank, Riverway
 Harlow, Essex, CM20 2DY, UK
 Phone: +44 1279 63 55 33
 Fax: +44 1279 62 50 29
 Email: sales@jumo.co.uk
 Internet: www.jumo.co.uk

JUMO Process Control, Inc.
 6724 Joy Road
 East Syracuse, NY 13057, USA
 Phone: +1 315 437 5866
 Fax: +1 315 437 5860
 Email: info.us@jumo.net
 Internet: www.jumousa.com



Technical data

Switching functions

| Temperature monitor TW and safety temperature monitor STW | Restart lock for the safety temperature limiter STB | Self-monitoring for the safety temperature monitor STW and safety temperature limiter STB |
|---|---|---|
| <p>If the temperature on the temperature probe exceeds the setpoint value, the microswitch is activated by the transmission mechanics and the electrical circuit is opened or closed.</p> <p>If the temperature falls below the selected setpoint value (by the amount of the switching differential), the microswitch is reset to its initial position</p> | <p>If the temperature on the temperature probe exceeds the set limit value, the electrical circuit is opened and the microswitch is mechanically locked.</p> <p>The microswitch can be manually unlocked once the dangerous temperature of the setpoint value drops by approx. 20 % of the scale range.</p> | <p>If the measuring system is destroyed (i.e. if the expansion fluid escapes) the pressure in the membrane of the STB and STW drops and permanently opens the electrical circuit. Unlocking is then no longer possible.</p> <p>The electrical circuit opens when cooling the probe of STW (STB) and STB down to the negative temperature range, but it then closes again if the temperature rises. The STB must be unlocked manually if the minimum probe temperature is exceeded.</p> <p>The STW unlocks itself automatically.</p> |

Temperature compensation

When the ambient temperature on the switching head and the capillary deviates – from the calibration ambient temperature of 22 °C – a switching point offset occurs. This switching point offset is reduced to a minimum due to the temperature compensation.

Housing

| | |
|---------------------------|---|
| Material | Polyester case, glass fiber reinforced, black (option: stainless steel) Due to the conductive soot-doped surface with a low surface resistance, static charging is not possible. |
| Protection type | EN 60529 - IP65 (polyester case), pollution level 2, IP 66 with extra code 861 |
| Setpoint value adjustment | With screwdriver (once the case lid has been removed) |
| Switching head fastening | Using four screws (once the case lid has been removed) |
| Weight | Approx. 1200 g single thermostat/approx. 2000 g double thermostat |
| Cable inlet | Ex cable gland M20 × 1.5, sealing area 6 to 13 mm and Ex cable gland M25 × 1.5, sealing area 7 to 17 mm |

Process connection

| | |
|--------------------------------|--|
| JUMO exTHERM-AT with capillary | Plain cylindrical probe (standard), rigid thermowell, spiral probe for room thermostat version |
|--------------------------------|--|

Accessories

| | |
|-----------------|---|
| JUMO exTHERM-AT | Multi-section standard thermowells made out of CrNi for use in zones 1, 2, 21, 22 (see data sheet 606710) Multi-section thermowells made out of CrNi for use in zone separation 0/1, 20/21 (see new data sheet 605057) |
|-----------------|---|

JUMO GmbH & Co. KG
 Delivery address: Mackenrodtstraße 14
 36039 Fulda, Germany
 Postal address: 36035 Fulda, Germany
 Phone: +49 661 6003-0
 Fax: +49 661 6003-607
 Email: mail@jumo.net
 Internet: www.jumo.net

JUMO Instrument Co. Ltd.
 JUMO House
 Temple Bank, Riverway
 Harlow, Essex, CM20 2DY, UK
 Phone: +44 1279 63 55 33
 Fax: +44 1279 62 50 29
 Email: sales@jumo.co.uk
 Internet: www.jumo.co.uk

JUMO Process Control, Inc.
 6724 Joy Road
 East Syracuse, NY 13057, USA
 Phone: +1 315 437 5866
 Fax: +1 315 437 5860
 Email: info.us@jumo.net
 Internet: www.jumousa.com



Operating data

| | |
|--|--|
| Medium ambient temperature influence | When the ambient temperature on the switching head and/or the capillary deviates from the calibration ambient temperature of 22 °C, a switching point offset occurs. Higher ambient temperature = lower switching point Lower ambient temperature = higher switching point |
| Admissible storage temperature/ admissible ambient temperature when in use | -40 °C, optionally -60 to +70 °C (referring to T4, at 25 A max. 55 °C) |
| Max. probe temperature | +15 % of the limit value/max. adjustment value or 25 K |
| Rated position (NL) | According to DIN 16257, NL 0 to NL 90 |

Electrical data

| | | |
|-------------------------|--|---|
| Max. switching capacity | Selectable on the N/C contact (contact deck 1-2): | |
| | AC 400 V +10 %, 16 A | |
| | AC 230 V +10 %, 16 (2.5) A, $\cos \varphi = 1 (0.6)^a$ | |
| | AC 230 V +10 %, 25 (4) A, $\cos \varphi = 1 (0.6)$ | |
| | DC 230 V +10 %, 0.25 A | |
| | Selectable on the N/O contact (contact deck 1-4): | |
| | TW, STW | STB |
| | AC 400 V +10 %, 6.3 A | AC 400 V +10 %, 2 A |
| | AC 230 V +10 %, 6.3 (2.5) A, $\cos \varphi = 1 (0.6)^a$ | AC 230 V +10 %, 2 (0.4) A, $\cos \varphi = 1 (0.6)^a$ |
| | AC 230 V +10 %, 2 (0.4) A, $\cos \varphi = 1 (0.6)$ | AC 230 V +10 %, 2 (0.4) A, $\cos \varphi = 1 (0.6)$ |
| DC 230 V +10 %, 0.25 A | AC 230 V +10 %, 0.25 A | |
| | Snap-action switch, gold-plated AC/DC = 24 V, 0.1 A | |
| Min. switching capacity | To ensure the greatest possible switching reliability we recommend a minimum load of: AC/DC = 24 V, 100 mA for silver contacts AC/DC = 10 V, 5 mA for gold-plated contacts | |

^a standard

Capillary and temperature probe

| Type | Capillary Ø 1.5 mm | Temperature probe |
|--------------------------|-------------------------------|---------------------------------------|
| JUMO exTHERM-AT | Stainless steel (CrNi) 1.4571 | Stainless steel (CrNi) 1.4571, welded |
| Capillary length | Max. 5000 mm | |
| Capillary bending radius | ≥ 5 mm | |

JUMO GmbH & Co. KG
 Delivery address: Mackenrodtstraße 14
 36039 Fulda, Germany
 Postal address: 36035 Fulda, Germany
 Phone: +49 661 6003-0
 Fax: +49 661 6003-607
 Email: mail@jumo.net
 Internet: www.jumo.net

JUMO Instrument Co. Ltd.
 JUMO House
 Temple Bank, Riverway
 Harlow, Essex, CM20 2DY, UK
 Phone: +44 1279 63 55 33
 Fax: +44 1279 62 50 29
 Email: sales@jumo.co.uk
 Internet: www.jumo.co.uk

JUMO Process Control, Inc.
 6724 Joy Road
 East Syracuse, NY 13057, USA
 Phone: +1 315 437 5866
 Fax: +1 315 437 5860
 Email: info.us@jumo.net
 Internet: www.jumousa.com



Control ranges and probe table

| Control range | Max. capillary length | Probe length „L“ | | | | |
|---------------|-----------------------|------------------|-------------|----------------|-------------|-----|
| | | For „d“ = 4 mm | | For „d“ = 6 mm | | |
| | | TW | STW, STB | TW | STW | STB |
| in °C | in mm | Approx. 2.5 % | Approx. 7 % | Approx. 2.5 % | Approx. 7 % | - |
| -20 to +50 | 5000 | - | - | 138 | 81 | 81 |
| 0 to 120 | 5000 | 203 | 115 | 90 | 65 | 65 |
| 0 to 190 | 5000 | 136 | 79 | 71 | 52 | - |
| 60 to 300 | 3000 | - | - | - | 155 | - |
| 20 to 500 | 5000 | - | - | 278 | - | - |
| 140 to 500 | 5000 | - | - | - | 133 | 133 |
| 70 to 190 | 5000 | - | 99 | - | 59 | 59 |
| 20 to 400 | 3000 | - | - | 155 | - | - |
| 150 to 300 | 3000 | - | - | - | - | 155 |

Switching point tolerance in the middle section of the scale

| Control range | TW | STW upward adjustment | STW downward adjustment | STB |
|---------------------------|---------|-----------------------|-------------------------|--------|
| in °C | in K | in K | in K | in K |
| -20 to +40 (spiral probe) | +2/-2 | - | - | - |
| -20 to +50 | +3/-3 | +0/-5 | +5/-0 | - |
| 0 to 120 | +5/-5 | +0/-10 | +10/-0 | +0/-10 |
| 0 to 190 | +8/-8 | +0/-16 | +16/-0 | - |
| 70 to 190 | - | +0/-16 | +16/-0 | +0/-16 |
| 130 to 190 | - | - | - | +0/-16 |
| 20 to 400 | +18/-18 | - | - | - |
| 60 to 300 | - | +0/-36 | +36/-0 | - |
| 150 to 300 | - | - | - | +0/-36 |
| 140 to 500 | - | +0/-44 | +44/-0 | +0/-44 |
| 20 to 500 | +22/-22 | - | - | - |

Temperature monitors (TW) and safety temperature monitors (STW) are adjusted ascendingly in the middle section of the scale as standard procedure. Safety temperature limiters (STB) are adjusted in the upper section of the scale. Special adjustments are possible upon request.

JUMO GmbH & Co. KG
 Delivery address: Mackenrodtstraße 14
 36039 Fulda, Germany
 Postal address: 36035 Fulda, Germany
 Phone: +49 661 6003-0
 Fax: +49 661 6003-607
 Email: mail@jumo.net
 Internet: www.jumo.net

JUMO Instrument Co. Ltd.
 JUMO House
 Temple Bank, Riverway
 Harlow, Essex, CM20 2DY, UK
 Phone: +44 1279 63 55 33
 Fax: +44 1279 62 50 29
 Email: sales@jumo.co.uk
 Internet: www.jumo.co.uk

JUMO Process Control, Inc.
 6724 Joy Road
 East Syracuse, NY 13057, USA
 Phone: +1 315 437 5866
 Fax: +1 315 437 5860
 Email: info.us@jumo.net
 Internet: www.jumousa.com



Approvals and approval marks

| | |
|---|--|
| ATEX Testing agency Certificate/certification numbers Inspection basis Valid for | Bureau Veritas EPS 11 ATEX 1 354 EN IEC 60079-0, EN 60079-1, EN IEC 60079-7, EN 60079-26, EN 60079-31, EN 50495, EN ISO 80079-37 Type 605055/... |
| IECEX Testing agency Certificate/certification numbers Inspection basis Valid for | Bureau Veritas IECEx EPS 13.0046 IEC 60079-0, IEC 60079-1, IEC 60079-31, IEC 60079-7 Type 605055/... with extra code 372 |
| EAC-Ex^a Testing agency Certificate/certification numbers Inspection basis Valid for | Profitext Limited Liability Company, Moscow RU C-DE.HB07.B00057/20 TR ZU 012/2011 (Ex) Typ 605055/... with extra code 240 |
| UA TR Testing agency Certificate/certification numbers Inspection basis Valid for | SERTIS-CENTER CLJ 21.0635 DSTU EN 60079-0, DSTU EN 60079-1, DSTU EN 60079-7, DSTU EN 60079-31 Type 605055/... |
| SIL Testing agency Certificate/certification numbers Inspection basis Valid for | Bureau Veritas EPS 11 ATEX 1 354 DIN EN 50495 Type 605055/... with extra code 073 |

^a Russian documentation on request

JUMO GmbH & Co. KG
 Delivery address: Mackenrodtstraße 14
 36039 Fulda, Germany
 Postal address: 36035 Fulda, Germany
 Phone: +49 661 6003-0
 Fax: +49 661 6003-607
 Email: mail@jumo.net
 Internet: www.jumo.net

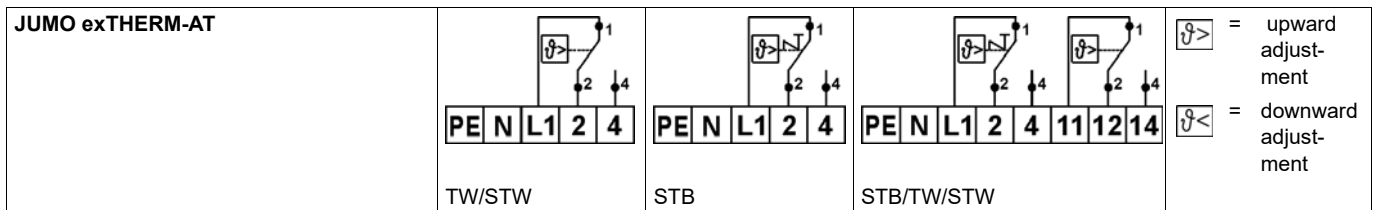
JUMO Instrument Co. Ltd.
 JUMO House
 Temple Bank, Riverway
 Harlow, Essex, CM20 2DY, UK
 Phone: +44 1279 63 55 33
 Fax: +44 1279 62 50 29
 Email: sales@jumo.co.uk
 Internet: www.jumo.co.uk

JUMO Process Control, Inc.
 6724 Joy Road
 East Syracuse, NY 13057, USA
 Phone: +1 315 437 5866
 Fax: +1 315 437 5860
 Email: info.us@jumo.net
 Internet: www.jumousa.com

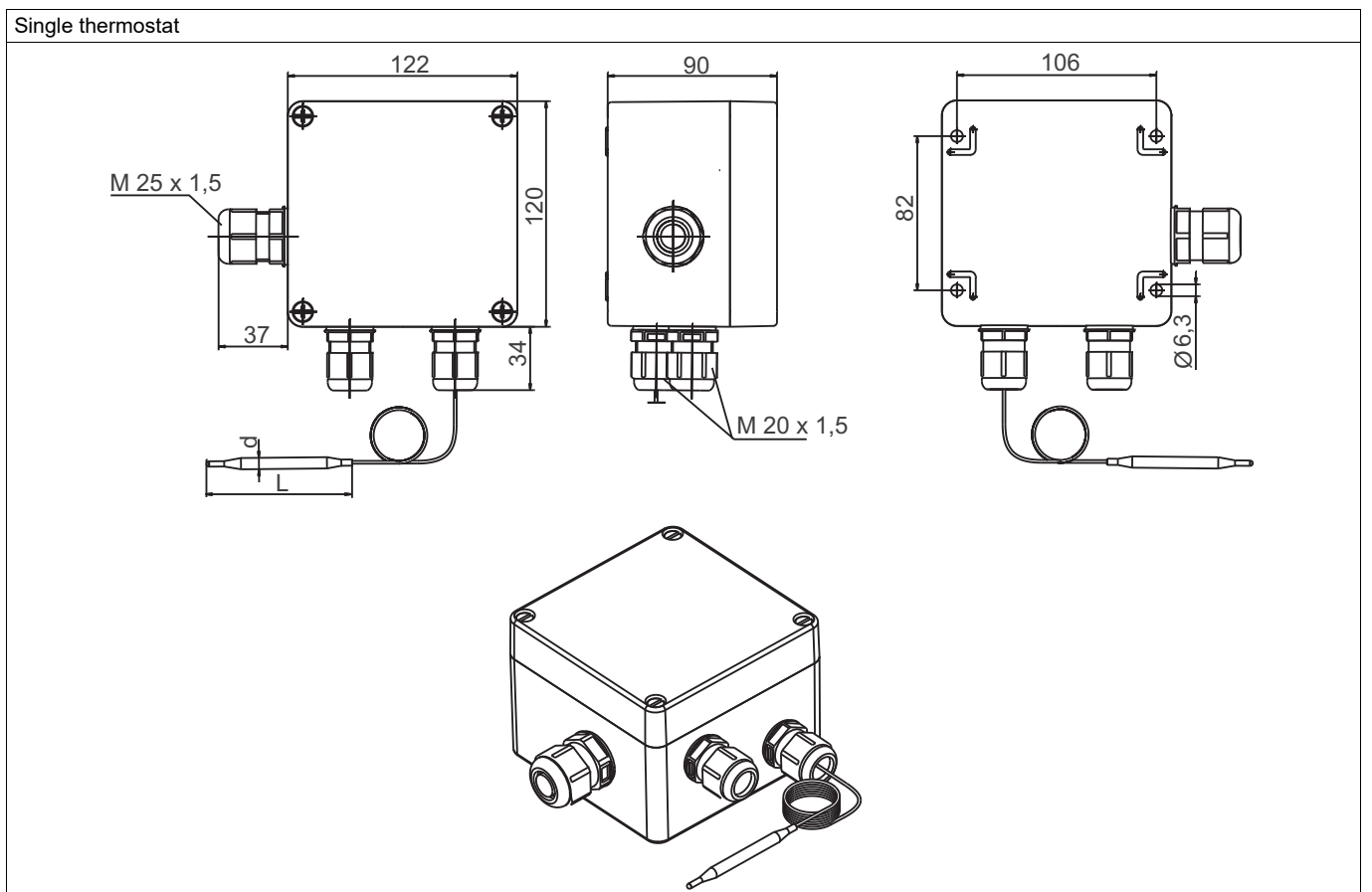


Connection diagram

The connection diagram in the data sheet provides preliminary information about the connection options. For the electrical connection, only use the installation instructions or the operating manual. The knowledge and the correct technical compliance with the safety information and warnings contained in these documents are mandatory for mounting, electrical connection, and startup as well as for safety during operation.



Dimensions



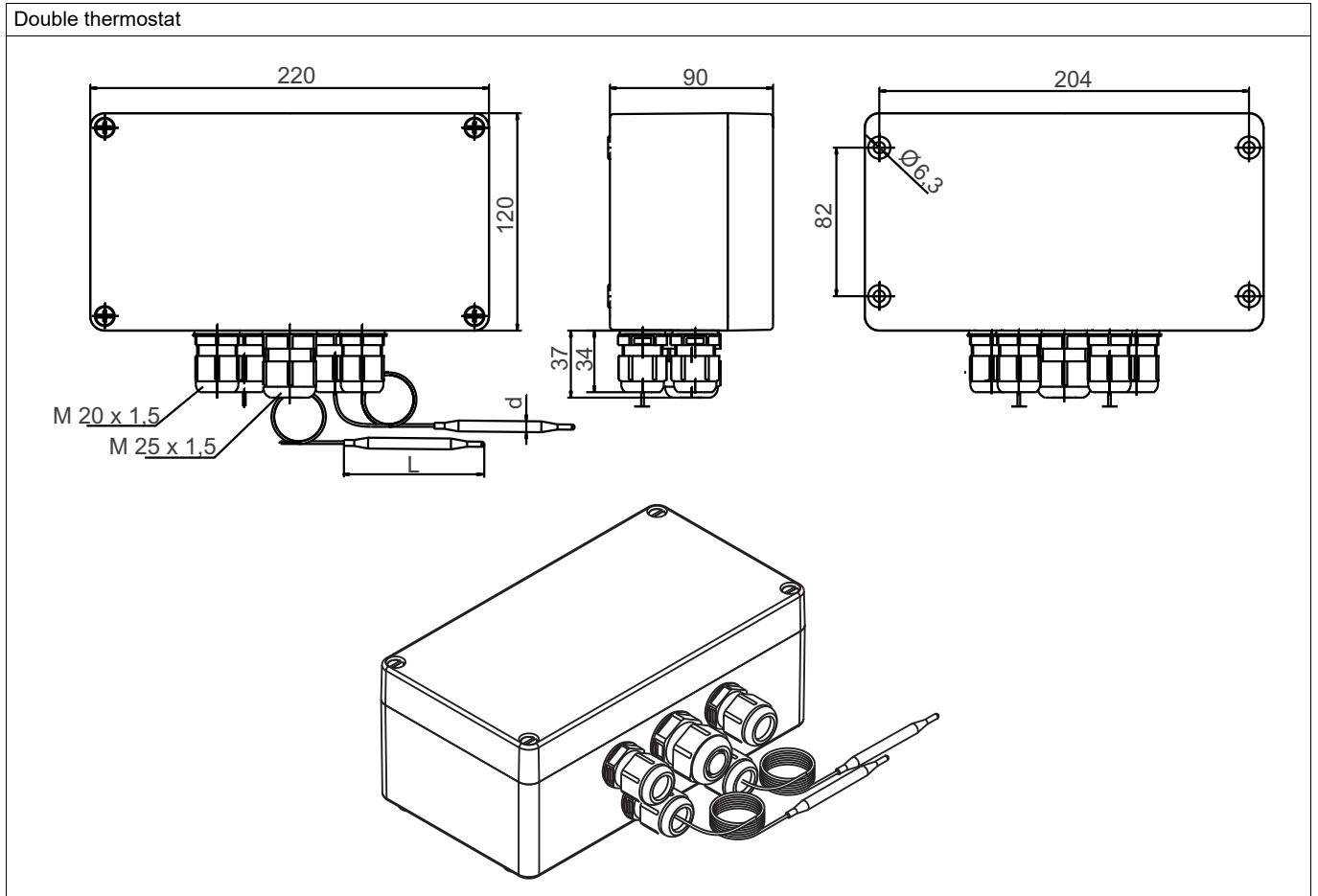
JUMO GmbH & Co. KG
 Delivery address: Mackenrodtstraße 14
 36039 Fulda, Germany
 Postal address: 36035 Fulda, Germany
 Phone: +49 661 6003-0
 Fax: +49 661 6003-607
 Email: mail@jumo.net
 Internet: www.jumo.net

JUMO Instrument Co. Ltd.
 JUMO House
 Temple Bank, Riverway
 Harlow, Essex, CM20 2DY, UK
 Phone: +44 1279 63 55 33
 Fax: +44 1279 62 50 29
 Email: sales@jumo.co.uk
 Internet: www.jumo.co.uk

JUMO Process Control, Inc.
 6724 Joy Road
 East Syracuse, NY 13057, USA
 Phone: +1 315 437 5866
 Fax: +1 315 437 5860
 Email: info.us@jumo.net
 Internet: www.jumousa.com



Double thermostat



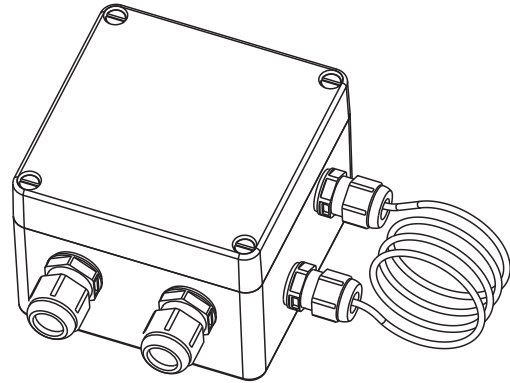
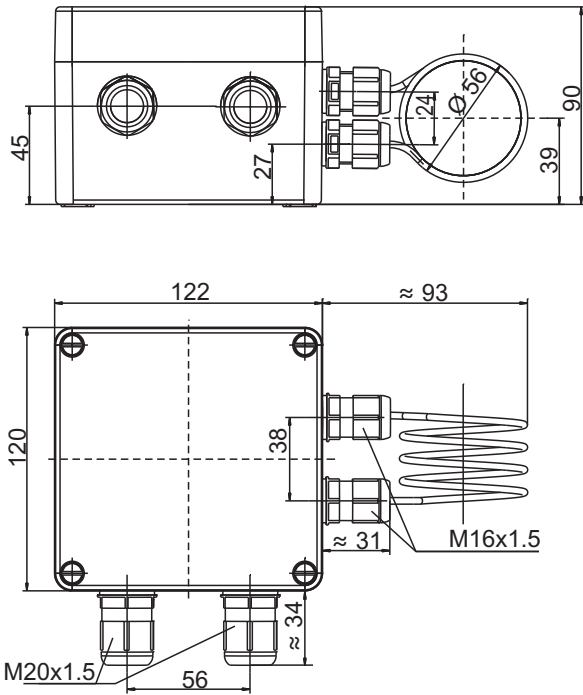
JUMO GmbH & Co. KG
 Delivery address: Mackenrodtstraße 14
 36039 Fulda, Germany
 Postal address: 36035 Fulda, Germany
 Phone: +49 661 6003-0
 Fax: +49 661 6003-607
 Email: mail@jumo.net
 Internet: www.jumo.net

JUMO Instrument Co. Ltd.
 JUMO House
 Temple Bank, Riverway
 Harlow, Essex, CM20 2DY, UK
 Phone: +44 1279 63 55 33
 Fax: +44 1279 62 50 29
 Email: sales@jumo.co.uk
 Internet: www.jumo.co.uk

JUMO Process Control, Inc.
 6724 Joy Road
 East Syracuse, NY 13057, USA
 Phone: +1 315 437 5866
 Fax: +1 315 437 5860
 Email: info.us@jumo.net
 Internet: www.jumousa.com



Room thermostat



JUMO GmbH & Co. KG
 Delivery address: Mackenrodtstraße 14
 36039 Fulda, Germany
 Postal address: 36035 Fulda, Germany
 Phone: +49 661 6003-0
 Fax: +49 661 6003-607
 Email: mail@jumo.net
 Internet: www.jumo.net

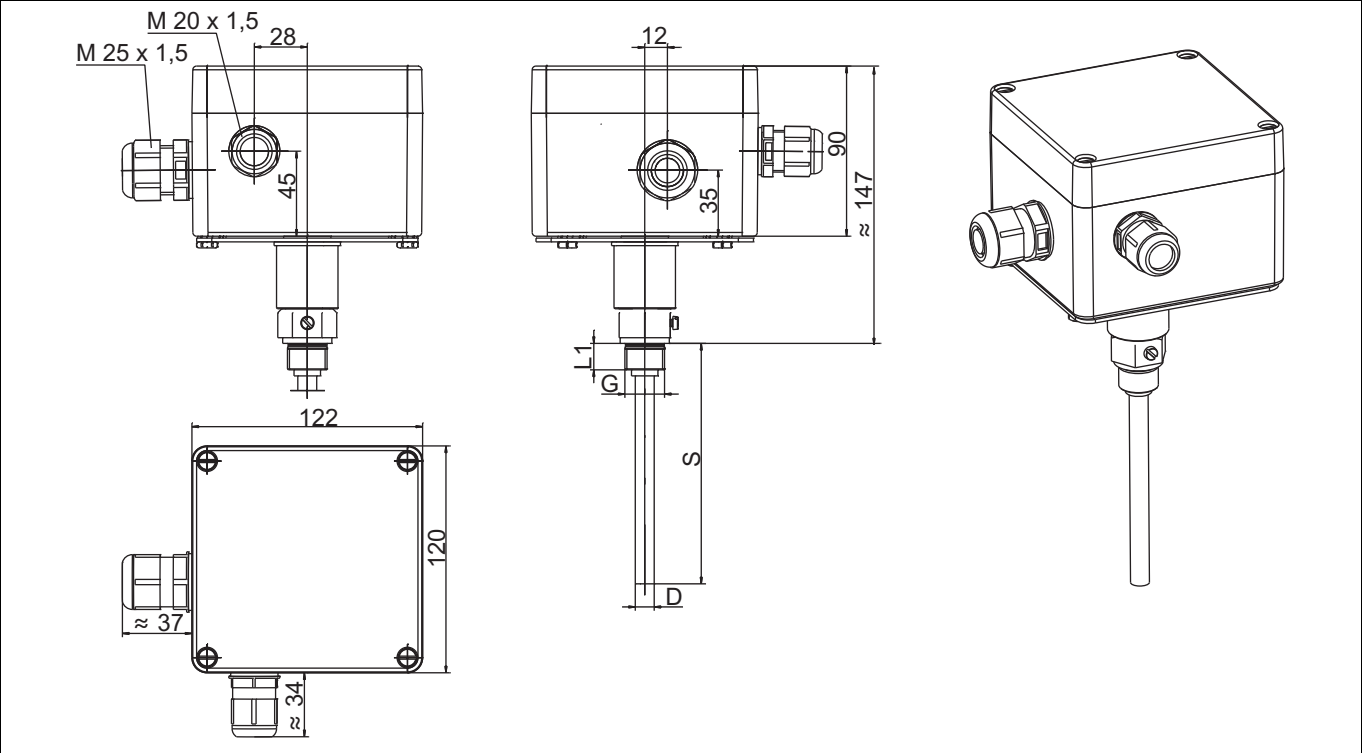
JUMO Instrument Co. Ltd.
 JUMO House
 Temple Bank, Riverway
 Harlow, Essex, CM20 2DY, UK
 Phone: +44 1279 63 55 33
 Fax: +44 1279 62 50 29
 Email: sales@jumo.co.uk
 Internet: www.jumo.co.uk

JUMO Process Control, Inc.
 6724 Joy Road
 East Syracuse, NY 13057, USA
 Phone: +1 315 437 5866
 Fax: +1 315 437 5860
 Email: info.us@jumo.net
 Internet: www.jumousa.com

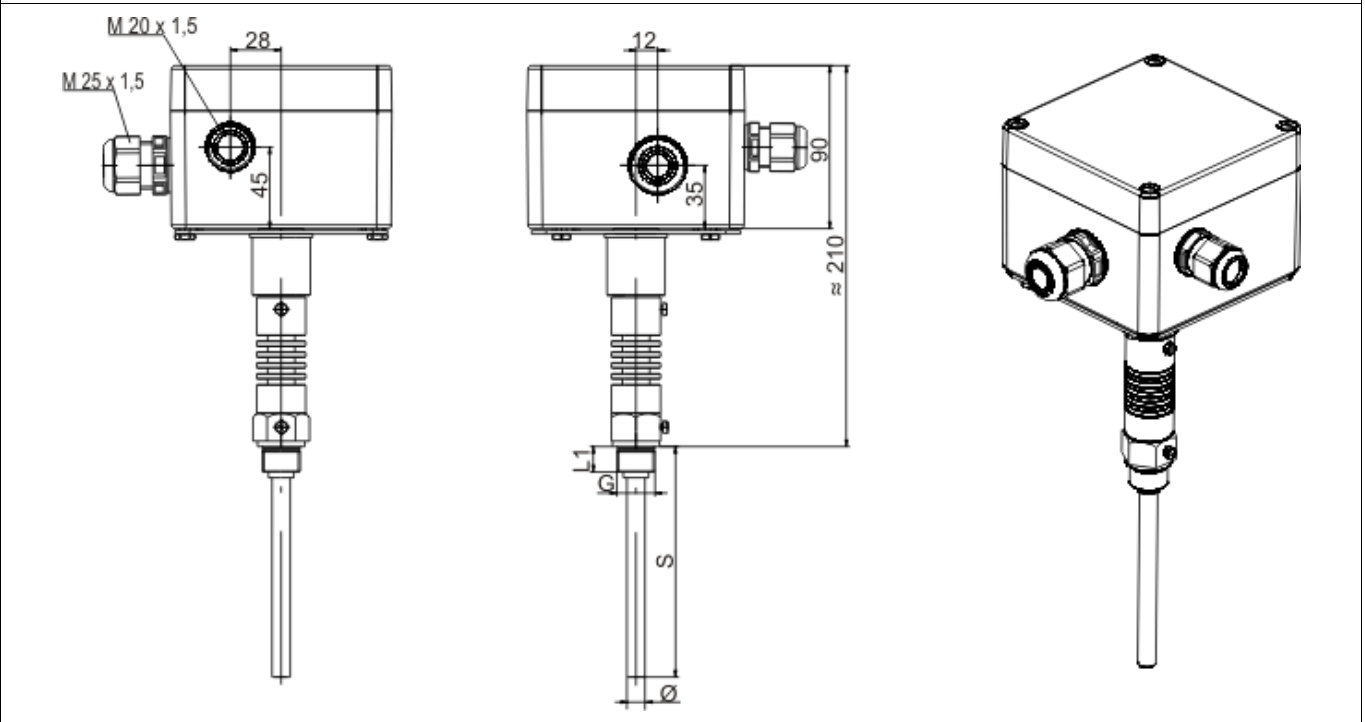


Thermostat with rigid thermowell (process connection 74)

Thermowells can be ordered separately according to data sheet 605057 (with ATEX approval) or data sheet 606710 (without ATEX approval)



Thermostat with sleeve and heat sink, limit value > 150 to 300 °C



JUMO GmbH & Co. KG
 Delivery address: Mackenrodtstraße 14
 36039 Fulda, Germany
 Postal address: 36035 Fulda, Germany
 Phone: +49 661 6003-0
 Fax: +49 661 6003-607
 Email: mail@jumo.net
 Internet: www.jumo.net

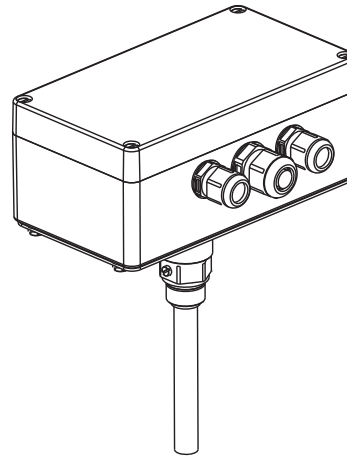
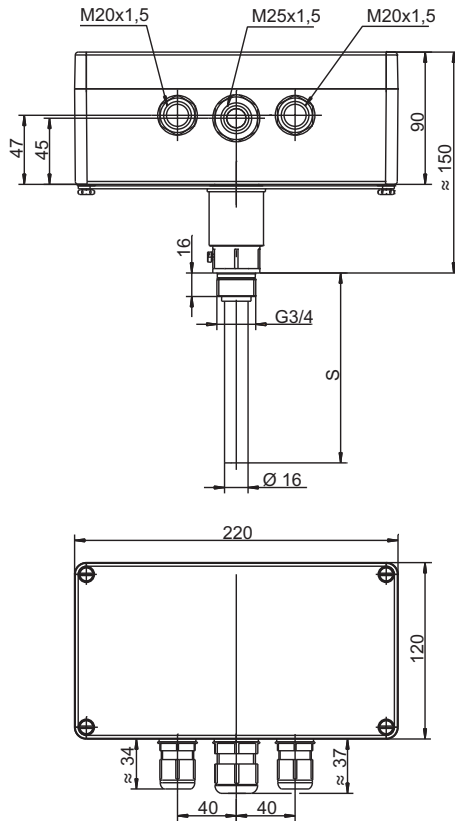
JUMO Instrument Co. Ltd.
 JUMO House
 Temple Bank, Riverway
 Harlow, Essex, CM20 2DY, UK
 Phone: +44 1279 63 55 33
 Fax: +44 1279 62 50 29
 Email: sales@jumo.co.uk
 Internet: www.jumo.co.uk

JUMO Process Control, Inc.
 6724 Joy Road
 East Syracuse, NY 13057, USA
 Phone: +1 315 437 5866
 Fax: +1 315 437 5860
 Email: info.us@jumo.net
 Internet: www.jumousa.com

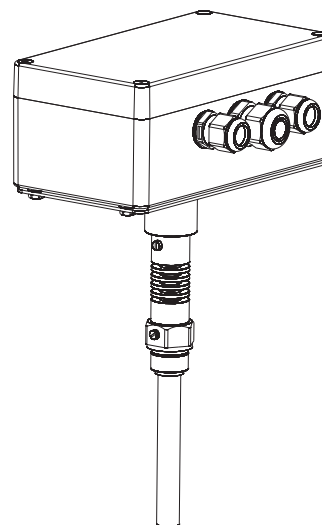
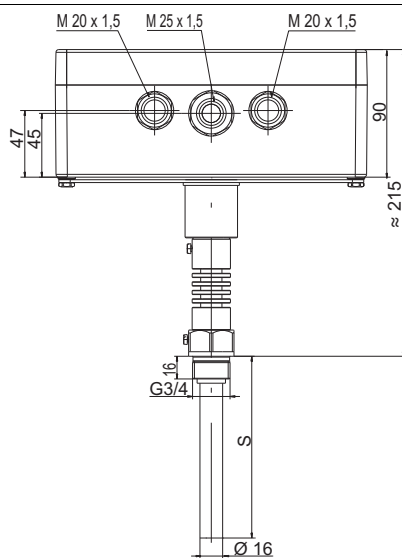


Double thermostat with sleeve (process connection 74)

Thermowells can be ordered separately according to data sheet 605057 (with ATEX approval) or data sheet 606710 (without ATEX approval)



Double thermostat with sleeve and heat sink, limit value > 150 to 300 °C



JUMO GmbH & Co. KG
 Delivery address: Mackenrodtstraße 14
 36039 Fulda, Germany
 Postal address: 36035 Fulda, Germany
 Phone: +49 661 6003-0
 Fax: +49 661 6003-607
 Email: mail@jumo.net
 Internet: www.jumo.net

JUMO Instrument Co. Ltd.
 JUMO House
 Temple Bank, Riverway
 Harlow, Essex, CM20 2DY, UK
 Phone: +44 1279 63 55 33
 Fax: +44 1279 62 50 29
 Email: sales@jumo.co.uk
 Internet: www.jumo.co.uk

JUMO Process Control, Inc.
 6724 Joy Road
 East Syracuse, NY 13057, USA
 Phone: +1 315 437 5866
 Fax: +1 315 437 5860
 Email: info.us@jumo.net
 Internet: www.jumousa.com



Order details

| | | | | |
|--------|---|----|-------------|---------------------|
| | (1) Basic type | | | |
| 605055 | JUMO exTHERM-AT – Explosion-proof surface-mounted thermostat for zones 1, 2, 21, and 22 | | | |
| | (2) Basic type extension | | | |
| 0002 | Temperature monitor (TW) | | | |
| 0020 | Safety temperature monitor (STW) | | | |
| 0070 | Safety temperature limiter (STB) | | | |
| 0270 | Temperature monitor/Safety temperature limiter (TW/STB) | | | |
| 2070 | Safety temperature monitor/Safety temperature limiter (STW/STB) | | | |
| | (3) Design type | | | |
| 5 | Surface-mounted thermostat | | | |
| 6 | Room thermostat | | | |
| | (4) Housing | | | |
| 4 | Polyester case black (standard) | | | |
| 6 | Stainless steel housing | | | |
| | (5) Control range (TW) | | | |
| 013 | -20 to +40 °C | | | |
| 014 | -20 to +50 °C | | | |
| 026 | 0 to 120 °C | | | |
| 045 | 20 to 400 °C | | | |
| 195 | 0 to 190 °C | | | |
| 427 | 60 to 300 °C | | | |
| 429 | 70 to 190 °C | | | |
| 532 | 130 to 190 °C | | | |
| 539 | 140 to 500 °C | | | |
| 553 | 150 to 300 °C | | | |
| | (6) Limit value range (STB) | | | |
| 000 | Only single thermostat | | | |
| 014 | -20 to +50 °C | | | |
| 026 | 0 to 120 °C | | | |
| 045 | 20 to 400 °C | | | |
| 195 | 0 to 190 °C | | | |
| 427 | 60 to 300 °C only STB gas filling | | | |
| 429 | 70 to 190 °C | | | |
| 532 | 130 to 190 °C | | | |
| 539 | 140 to 500 °C | | | |
| 553 | 150 to 300 °C | | | |
| | (7) Switching capacity | | | |
| 11 | AC/DC 24 V, 0.1 A | | | |
| 21 | AC 230 V, 16 (2.5) A, cos φ = 1 (0.6) | | | |
| 25 | AC 230 V, 25 (4) A, cos φ = 1 (0.6) | | | |
| 41 | AC 400 V, 16 A | | | |
| | (8) Admissible ambient temperature at the housing | | | |
| 340 | -55 to +40 °C | T6 | (+70 °C T4) | (+55 °C T4 at 25 A) |
| 467 | -40 to +40 °C | T6 | (+70 °C T4) | (+55 °C T4 at 25 A) |
| | (9) Switching differential | | | |
| 00 | None | | | |
| 25 | Approx. 2.5 % | | | |
| 70 | Approx. 7 % | | | |

JUMO GmbH & Co. KG
 Delivery address: Mackenrodtstraße 14
 36039 Fulda, Germany
 Postal address: 36035 Fulda, Germany
 Phone: +49 661 6003-0
 Fax: +49 661 6003-607
 Email: mail@jumo.net
 Internet: www.jumo.net

JUMO Instrument Co. Ltd.
 JUMO House
 Temple Bank, Riverway
 Harlow, Essex, CM20 2DY, UK
 Phone: +44 1279 63 55 33
 Fax: +44 1279 62 50 29
 Email: sales@jumo.co.uk
 Internet: www.jumo.co.uk

JUMO Process Control, Inc.
 6724 Joy Road
 East Syracuse, NY 13057, USA
 Phone: +1 315 437 5866
 Fax: +1 315 437 5860
 Email: info.us@jumo.net
 Internet: www.jumousa.com



| | |
|---------------------------------------|--|
| (10) Switching differential 2 | |
| 00 | None |
| 25 | Approx. 2.5 % |
| 70 | Approx. 7 % |
| (11) Capillary length | |
| 0 | 0 mm |
| 1000 | 1,000 mm |
| 3000 | 3,000 mm |
| (12) Capillary length 2 | |
| 0 | 0 mm |
| 1000 | 1,000 mm |
| 3000 | 3,000 mm |
| (13) Capillary material | |
| 20 | CrNi |
| (14) Process connection | |
| 10 | Plain cylindrical probe |
| 15 | Spiral probe |
| 74 | Mounting adaptor for thermowell |
| (15) Probe diameter | |
| 4 | 4 mm |
| 6 | 6 mm |
| 56 | 56 mm |
| (16) Probe diameter 2 | |
| 0 | Only single thermostat |
| 4 | 4 mm |
| 6 | 6 mm |
| (17) Insertion length EL in mm | |
| 0 | Only probe |
| 100 | 100 mm |
| 150 | 150 mm |
| 200 | 200 mm |
| 300 | 300 mm |
| (18) Extra codes | |
| 000 | None |
| 073 | SIL and IPL approval |
| 083 | PESO (India) |
| 084 | CCC-Ex (China) |
| 240 | EAC-Ex approval |
| 372 | IECEx-protection type according to IEC 60079.. |
| 861 | Protection type IP66 according to DIN EN 60529 |

Order code (1) (2) (3) (4) (5) (6) (7) (8) (9) (10) -
 / - - - - - - - - - - -

Order example 605055 / 0020 - 5 - 4 - 195 - 000 - 21 - 467 - 70 - 00 -

 (11) (12) (13) (14) (15) (16) (17) (18)
 - - - - - - /
 1000 - 0 - 20 - 10 - 6 - 0 - 0 / 000

JUMO GmbH & Co. KG
 Delivery address: Mackenrodtstraße 14
 36039 Fulda, Germany
 Postal address: 36035 Fulda, Germany
 Phone: +49 661 6003-0
 Fax: +49 661 6003-607
 Email: mail@jumo.net
 Internet: www.jumo.net

JUMO Instrument Co. Ltd.
 JUMO House
 Temple Bank, Riverway
 Harlow, Essex, CM20 2DY, UK
 Phone: +44 1279 63 55 33
 Fax: +44 1279 62 50 29
 Email: sales@jumo.co.uk
 Internet: www.jumo.co.uk

JUMO Process Control, Inc.
 6724 Joy Road
 East Syracuse, NY 13057, USA
 Phone: +1 315 437 5866
 Fax: +1 315 437 5860
 Email: info.us@jumo.net
 Internet: www.jumousa.com



Stock versions

| Designation | Control range (TW) | Capillary length | Probe diameter | Part no. |
|---|--------------------|------------------|----------------|----------|
| 605055/002-6-4-013-00-21-467-25-00-0-0-20-15-56-0-0/000 | -20 to +40 °C | 0 mm | 56 mm | 60003366 |
| 605055/0020-5-4-014-000-21-467-70-00-1000-0-20-10-6-0-0/000 | -20 to +50 °C | 1000 mm | 6 mm | 60003365 |
| 605055/0020-5-4-026-000-21-467-70-00-1000-0-20-10-6-0-0/000 | 0 to 120 °C | 1000 mm | 6 mm | 60003367 |
| 605055/0070-5-4-026-000-21-467-00-00-1000-0-20-10-6-0-0/000 | 0 to 120 °C | 1000 mm | 6 mm | 60003421 |
| 605055/0070-5-4-429-000-21-467-00-00-1000-0-20-10-6-0-0/000 | 70 to 190 °C | 1000 mm | 6 mm | 60003423 |
| 605055/0020-5-4-195-000-21-467-70-00-1000-0-20-10-6-0-0/000 | 0 to 190 °C | 1000 mm | 6 mm | 60003424 |
| 605055/0002-5-4-195-000-21-467-25-00-1000-0-20-10-6-0-0/000 | 0 to 190 °C | 1000 mm | 6 mm | 60003425 |
| 605055/0020-5-4-427-000-21-467-70-00-1000-0-20-10-6-0-0/000 | 60 to 300 °C | 1000 mm | 6 mm | 60003426 |